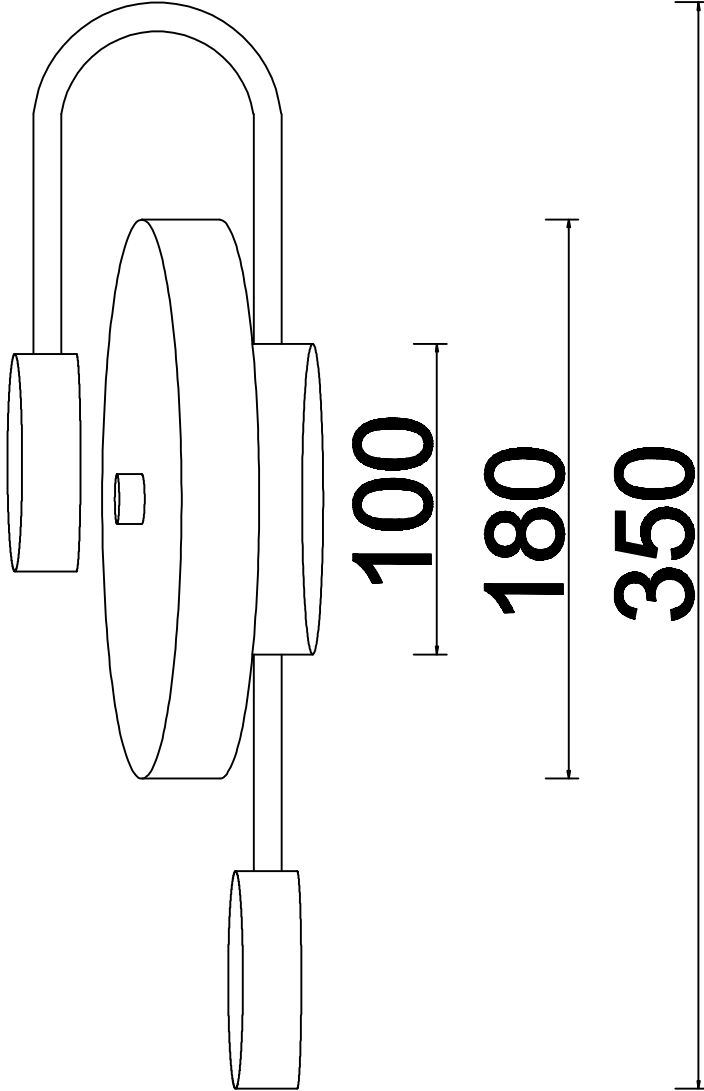


ZRS. 1818. 02

100



EAC