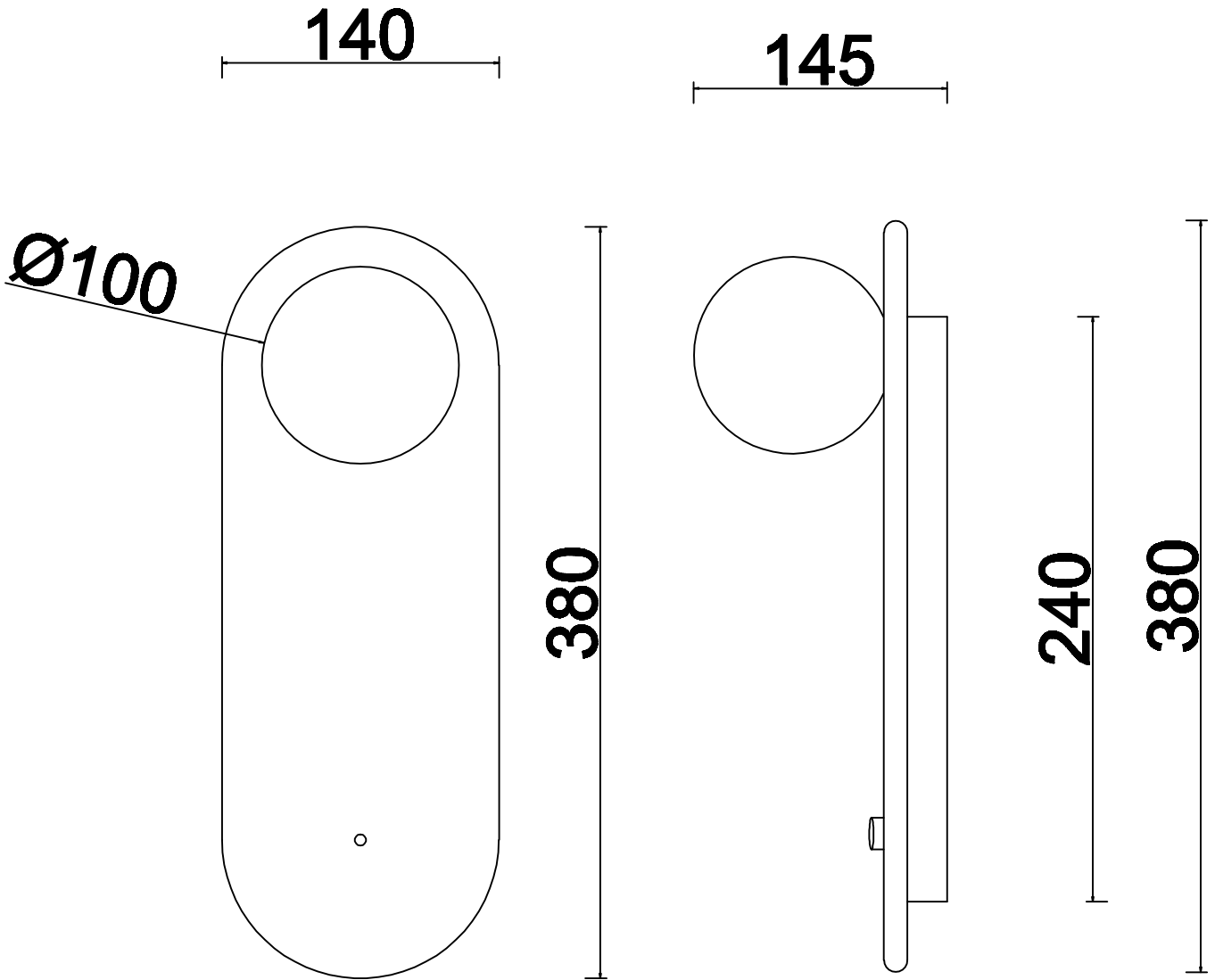


ZRS. 90610. 09



EAC